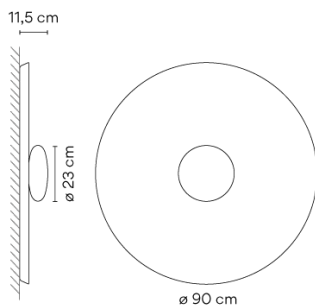
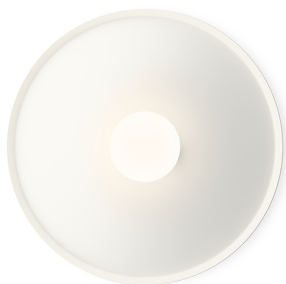


Top is a ceiling lamp with surface installation. It features simple lines that blend in with the ceiling as much as possible. The light reflected by the glass diffuser is confined within the rosette, as if the light were framed.

## Model Sheet



<b>Finish</b>	<ul style="list-style-type: none"> <li><span style="display: inline-block; width: 12px; height: 12px; background-color: #4F545C; border-radius: 50%; margin-right: 5px;"></span> 47 Green L1 NCS S 4005-G80Y</li> <li><span style="display: inline-block; width: 12px; height: 12px; background-color: #E6E6E6; border-radius: 50%; margin-right: 5px;"></span> 10 White NCS S 0300-N</li> <li><span style="display: inline-block; width: 12px; height: 12px; background-color: #C9583D; border-radius: 50%; margin-right: 5px;"></span> 36 Soft Pink NCS S 1010-Y50R</li> <li><span style="display: inline-block; width: 12px; height: 12px; background-color: #3A6878; border-radius: 50%; margin-right: 5px;"></span> 40 Blue L1 NCS S 3010-B</li> </ul>
---------------	---

**LED temperature color** 2700 K

**Dimming** DALI 1-10V Push  
**Optional** Casambi  
Min. quantity, upcharge and extra lead time apply [EN]

**Installation type** Surface Canopy

**Materials** Body: Aluminum  
Ceiling rose: Aluminum  
Diffuser: Opal blown-glass

**Light source** 3 x LED 13,4W 700mA  
E

**LED** CRI>90 3300 lm 82.08  
2700 K

**Driver** CC - Constant Current 700  
220-240 V 50/60 HZ

⏻
⏪
Dimmable
LED  
IP20
Dry Location
50-60Hz

**Application** Ceiling Lamps

**Packaging** 1 Box  
1,12 m x 1,12 m x 0,345 m  
Gross weight 7,7  
Net weight 5,3  
Vol. 0.4327

### Lighting effect

#### General Lighting

Lamp for general lighting that equally distributes the light in all directions.



#### Photometric Data

These photometric data refer to finish 36. If you need the photometrics of other finishes please go to Download.

**Efficiency** 66.69 lm/W  
**Coordinate System** CG  
**Total Flux** 3103.46 lm  
**Maximum Value** 813.96 c

#### Other Applications

